



A Chapter of the American Association of Woodturners

MSSW OFFICERS

President

Billy Martin
(617) 655-7688
billyjoe1185@verizon.net

Vice President

Sonny Tice
(617) 835-0810
gmt1113@yahoo.com

Treasurer

Ernest Leep
(714) 655-7688
eoleep@yahoo.com

Secretary

Horace Lukens
(601) 832-7738
hclsail@icloud.com

Librarian

Lenny Mandeville
(508) 586-7679
manleo@comcast.net

Webmaster

Tim Rix
(617) 259-5618
rix.tim@gmail.com

Newsletter

Jeff Keller
jtkeller116@gmail.com

AS THE WOOD TURNS

October 2024

Issue 316



Woodcraft of Walpole

Calling all scrollers, turners, and other fine woodworking crafters - we will hold our annual fundraiser again this year.

Donate a tree ornament of any kind, these will go on sale for \$5 donations and all proceeds will go to the Animal Protection Center of Southeastern Mass. Donated ornaments welcome any time, the tree and ornaments will be on display after Thanksgiving. More to follow.

MSSW Meeting Notes
October 22, 2024

Meeting began at 7:00 PM

No guests were present but recently new member Anne Holden did attend on Zoom.

Billy told the attendees that Bob Monaghan has a friend, Mark, who runs a mulching operation with 30 pieces of Black Walnut (largest ranging from 24" diam by 1' long and smaller limb pieces.) Mark would like to sell it to the Club for \$150 for the lot. Mixed reaction from the members present and the Club voted not to pursue. Individual members may form a group to purchase the wood.

Billy reminded the Club that the Christmas Party is Monday December 16th from 6 - 0 pm at the Abington Knights of Columbus Hall. Pot Luck

and Cash Bar. Horace will be sending out an email asking members to say if they will attend, bring a guest and what they will bring for potluck.

Elections Sonny volunteered to be nominated for the office of President, Fred Johnson did the same for Vice President and Ernie Leep and Horace Lukens committed to another term. The attendees unanimously voted all the officers in. There was a large round of applause for the new officers and appreciation for the incumbents.

Nov Demonstration will be Tim Rix showing how he turns a gnome. Sonny said we are looking for more members to commit to doing demos in 2025.

Horace reminded folks to pick up their name tags. The Club is up to 99 members with 18 or 19 joining in 2024. The

NEXT MEETING

Tuesday
November 26
7:00 p.m.
409 Washington St.
Abington, MA

Refreshments by:
Fred Johnson

NEXT HANDS ON
Date Nov. 16
Time 9:00 - Noon
at the Dust Bowl

Need a Hands On
Mentor?
Contact Glenn Siegmann
siegs@gmail.com

three recent additions to the membership are Don Trisler, Angela Vanlaarhoven and Anne Holden. Be sure to give them a warm welcome to the Club when you see them.

Joe reported on the start of the Woodturning for Beginners program at the Marshfield COA. Six students have registered and three more are on the waiting list. We have 5 instructors cleared to participate. Joe will work with the committee to get initial feedback and propose some program tweaks, The students really appreciated the 1 on 1 instruction and several additional COA members dropped in to inquire about the program.

Melissa spoke about the Arboretum exhibition. She said we have 100 pieces to display during the 2-day show. Ernie is transporting the equipment (2 lathes and grinder). Some of the turned items are being donated to the Arboretum for their fundraising raffle. Some pieces have been designated by the members to have the full sales price go to the Club fund (either general or tailer at the behest of the member).

AAW Grant – Melissa said the AAW’s stance is that the grant was predicated on reaching out to a Youth audience so although the Marshfield COA program is a good thing it doesn’t fulfill the aim of the grant. Melissa sent a

status report to the AAW letting them know that she is in contact with Norwell High School and attempting to start a 6 week program running after school for 2.5 to 4 hours one day a week. Melissa asked for Club members to sign up to instruct. They will need to submit CORI forms. Melissa is also in contact with Boy & Girls Clubs to explore other opportunities.

Glenn Siegmann – Next Hands-On will be Nov 16th

Waynes Sargo raised the issue that some of the chairs at the meeting are in poor shape and suggested that the Club purchase some new ones. There was the usual discussion

with a final outcome that some members would look for a “bargain” within the next 10 days. If no-one comes forward with a deal then Ernie will order 10 chairs on-line (approx. \$25 each) and we will replace 10 of the worst chairs. Charlie suggested (only half in jest) that members could buy their chair and have their name put on it.

The remaining CA glue was given away to members on a first-come first-served basis just to clear it out.

Wayne Sargo donated a large bag of tops to be used at Club events.

Bringback

Steve Wiseman turned a Cedar Box with a pop-fit and matching grain. This was won by Tom Ritchie.



Joe Wheeler turned a bird feeder from White and Red Oak. This was won by Bill Cyr.



Treasurer's Report 10/22/24

	9/24/2024	10/22/2024
Bank Balance	\$6,703.62	\$7,281.98
Cash	\$1,499.00	\$637.00
Total	\$8,202.62	\$7,918.98
Scholarship Fund	\$1,722.00	\$1,722.00
Trailer Fund	\$707.00	\$784.00
AAW Grant	\$184.43	\$184.43
Club Total	\$5,589.19	\$5,228.55
Income		
Dues	\$48.25	\$148.25
Sales		\$10.00
Store/Anchorseal	\$0.00	\$48.00
Smocks	\$110.00	\$56.32
Walnut Oil	\$27.00	\$0.00
Steel Rules	\$5.00	\$50.00
Gift From Plymouth	\$50.00	\$0.00
Total	\$240.25	\$312.57
Expenses		
Fred/Coffee	\$30.00	\$30.00
Rent		\$575.00
Go-Daddy		\$40.67
Staples (Receipt Books)		\$36.08
Amazon (Lathe Parts)		\$32.48
Total	\$30.00	\$714.23
Scholarship Fund	\$1,722.00	\$1,722.00

Hands On



The club had a Hands On session Saturday morning, October 12th. In the picture here, Carl Sjukist works on roughing out a bowl.



Tim Rix shows new member Angela van Laarhoven the best way to mount a blank onto the lathe for turning.



In this photo, Ken Lindgren offers instruction comments to a visitor to the Hands On.



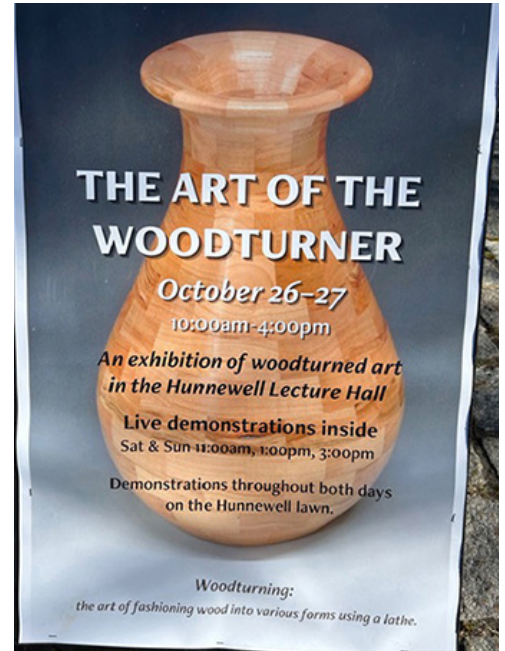
New member Angela van Laarhoven works on turning beads and coves on the lathe.



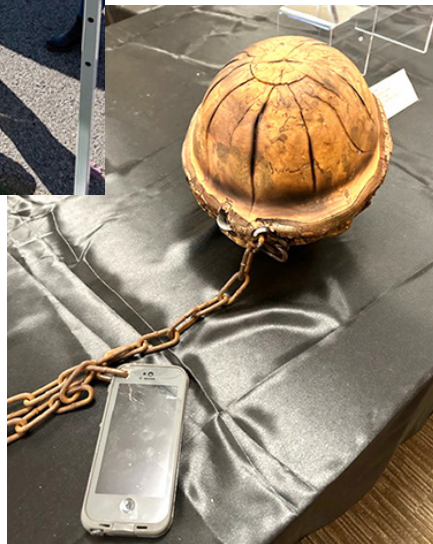
Glenn Sigman looks on as new member Stephen Flood turns beads and coves on a blank mounted on the lathe

Arnold Arboretum

The Mass. South Shore Woodturners along with two other woodturning groups took part in a show at the Arnold Arboretum this past weekend. Pictured are some of the display plus related turning and other information.



Pictured are two of the turned exhibits at the Arboretum this past weekend by our members Geoff Wilkinson and our president, Billy Martin.



Demos: Ball in a Cube and Half Moon

Here are two demos from Tuesday's meeting. The diagram shows Michael Venos "Ball within a Cube"

Here are the links to the latest demonstration videos:

Mike Veno

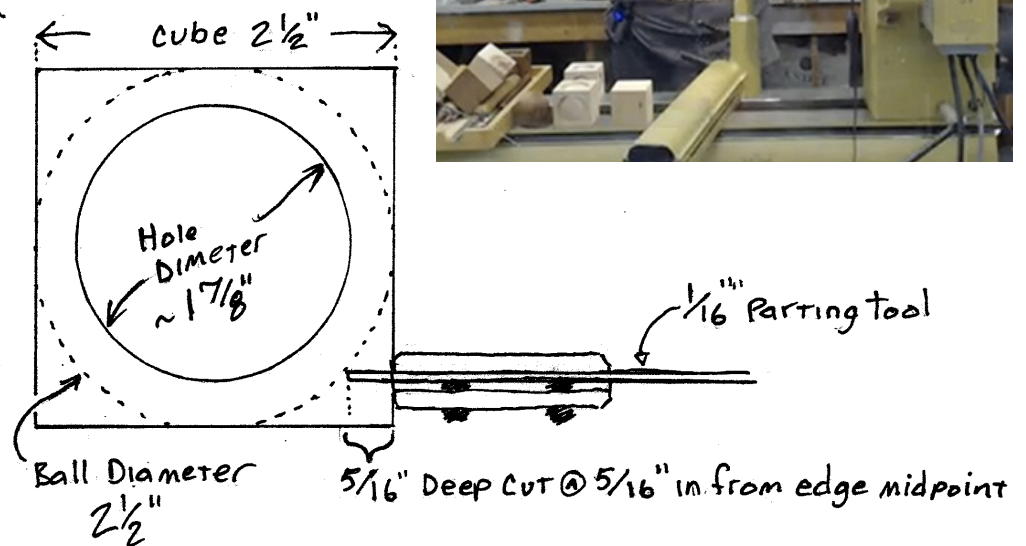
Ball in a Cube <https://youtu.be/hE-Qhd6DA94>



BALL IN CUBE

Tips:

- Use well-acclimatized wood
- Cut precise cubes
- Make sure cube is centered
- Always work opposite sides equally
- True up cup drive each time
- Be careful when cutting corner connections
- Take care to use/select wood



Steve Wiseman

Half Moon https://youtu.be/GVKicWn_GPQ



Horace presented 3 pieces, the first was a Spruce Burl Hollow Form



The second is also a Spruce Burl with chaotic grain and unique contours.



Third was a Cherry Burl bowl complete with bark inclusions and holes. All three pieces were finished with MinWax Tung Oil Finish.



Show & Tell

Michael Fullerton displayed a beautiful Maple and Bloodwood Goblet finished with Krylon triple thick finish from Michael's.



Charlie McCarthy turned a goblet inspired by Rudy Lopez in the theme of "square to round". It is turned in 3 pieces from Mahogany and Ebony with pyrography to accentuate the squareness.



Show & Tell



Joe Centorino showed a live edge White Oak bowl finished with Mahoney's Walnut Oil



The second piece is a center-piece from a salvaged end-grain platter that puckered at the pith and a base embellished with a basket illusion created with a 3/16" beading tool, pyrography and india ink. All finished with wipe-on Polyurethane. The piece is a gift to a Special Education Class at Carver High School and the Rise & Shine inscription is their mission statement.





Show & Tell

Ken Lindgren presented a double-tiered bowl turned from a Cherry Burl. Ken used a large hollowing gouge to form the stem between the small top bowl and the larger bottom bowl. Ken commented that he likes the texture achieved when turning a wet burl and letting it dry creating a bumpy surface similar to rough leather.



Andy Osborne exhibited a Silver Maple bowl turned from a branch of his neighbor's tree. He used a Laser Pecker engraver to etch maple leaf designs and wire-burned rings for embellishments. Andy used Minwax oil-based Urethane semi-gloss finish cut with 25% turpentine.



Show & Tell

Melissa Fantasia showed the members a Honey Locust Bowl,



A Christmas Tree Box (for sale at the Arboretum Exhibit with proceeds going directly to the trailer fund).



As well as a bowl with embedded pine cones and other flora suspended in a deep-pour Alumilite resin. This piece required attention over the three-day curing process to keep the embedded items from dropping to the bottom or rising to the top.



Carl Sjoquist started off with a Walnut Bowl and 2 plates



Followed by a Spalted Maple Bowl, and a small Cherry Bowl and small Pear Bowl



Carl also shared one of his attachments for dust control, using cardboard and acetate flaps to capture and direct shavings to the hood attached to his dust collector. Feel free to contact him for more details.



Show & Tell

Steve Wiseman showed two half-moon turnings, the first was this sample piece which he shared last month and did not consider a turning as the finial was such a minor part of the entire piece. He turned a new, larger finial and declared, "this I would now call a turning"



The second piece was his actual demo from last month. Steve turned a donut as a finial, a first for him he said

NOTICE:

Need Anchorseal? Contact Joe Centorino jcentorino@verizon.net or call/text 617-529-4997. It is BYOB.

Take note that this type of laundry detergent or fabric softener container holds approximate 2 gallons with a very handy pour spout.

Great for keeping your anchorseal "on-tap".

Prices remain at previous levels: small (approx 1 qt.) \$5, Medium (approx 1/2 gal.) \$9, Large (approx 1 gal.) \$16 and now Jumbo (approx 2 gal.) \$32.

Watched a good Demo lately?

The Club has 30 member-demos/presentations available from our website.

Just sign in, select Resources from the menu items at the top of the page and click on Recorded Demos & Presentations.

